

# Metering Valves (HR Series)

*Catalog 4170-HR  
Revised, August 2002*



# HR Series Metering Valves

## Introduction

Parker HR Series Metering Valves provide the highest degree of precision metering for moderate pressure applications. A choice of seven precision ground, tapered flat, non-rotating and non-rising valve stems enable repeatable metering at flow capacities as low as 0.0004  $C_v$ . With 15 stem turns, this valve offers the ultimate in precision flow control. This series also features shut-off capability not found in most metering valves.

## Features

- Bubble tight shut-off
- Special fine pitch thread with 15 turn resolution is isolated from contact with process fluids
- Non-rotating/non-rising valve stem design provides smooth, non-reversing flow characteristics
- Seven optional valve stem tapers
- Special orifice liner assures long life
- Panel or in-line mounting
- Angle or in-line patterns
- Brass or 316 SS forged body construction
- 100% function tested for actuation and shut-off

## Specifications

### Pressure Rating at all temperatures:

250 psig (17 bar) CWP

### Flow Data:

#### H0

Orifice: 0.000002 in<sup>2</sup>

In-line pattern:  $C_v = 0.0004$ ;  $X_T = 0.85$

Angle pattern:  $C_v = 0.0004$ ;  $X_T = 0.66$

#### H1

Orifice: 0.000083 in<sup>2</sup>

In-line pattern:  $C_v = 0.0070$ ;  $X_T = 0.85$

Angle pattern:  $C_v = 0.0070$ ;  $X_T = 0.66$

#### H2

Orifice: 0.000168 in<sup>2</sup>

In-line pattern:  $C_v = 0.0140$ ;  $X_T = 0.85$

Angle pattern:  $C_v = 0.0140$ ;  $X_T = 0.66$

#### H3

Orifice: 0.000241 in<sup>2</sup>

In-line pattern:  $C_v = 0.0200$ ;  $X_T = 0.85$

Angle pattern:  $C_v = 0.0210$ ;  $X_T = 0.66$

#### H4

Orifice: 0.000674 in<sup>2</sup>

In-line pattern:  $C_v = 0.0300$ ;  $X_T = 0.85$

Angle pattern:  $C_v = 0.0320$ ;  $X_T = 0.66$

#### H5

Orifice: 0.002325 in<sup>2</sup>

In-line pattern:  $C_v = 0.0470$ ;  $X_T = 0.85$

Angle pattern:  $C_v = 0.0490$ ;  $X_T = 0.66$

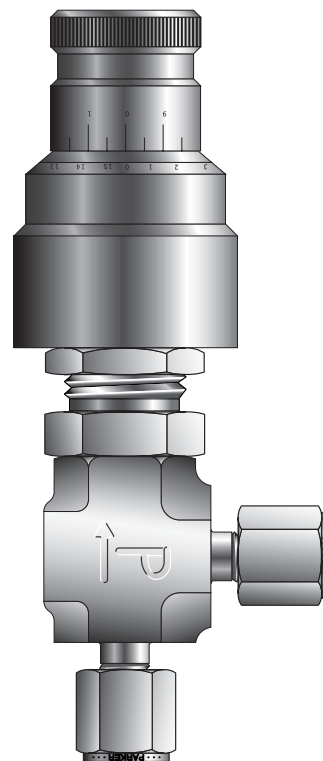
#### H6

Orifice: 0.006227 in<sup>2</sup>

In-line pattern:  $C_v = 0.1180$ ;  $X_T = 0.85$

Angle pattern:  $C_v = 0.1550$ ;  $X_T = 0.66$

Turns to open: 15 +/- 1



Model Shown: 2A-H0A-NE-SS-TC

## Valve / Seal Temperature Ratings

Buna-N Rubber:

-50 °F to 300 °F (-47 °C to 149 °C)

Ethylene Propylene Rubber:

-50 °F to 300 °F (-47 °C to 149 °C)

Neoprene Rubber:

-50 °F to 300 °F (-47 °C to 149 °C)

Fluorocarbon Rubber\*:

-25 °F to 400 °F (-32 °C to 204 °C)

Highly Fluorinated Fluorocarbon Rubber:

-25 °F to 200 °F (-32 °C to 93 °C)

\*Note: The Turns Counter Handle (TC) requires the HT option for use at temperatures above 300 °F (149 °C).

Flow tested in accordance with ISA S75.02. Gas flow will be choked when  $P_1 - P_2 / P_1 = x_T$ .

# HR Series Metering Valves

## Dimensions

Basic Part Number	End Connections		Dimensions							
	(Inlet)	(Outlet)	A†		B†		C		D	
	Port 1	Port 2	Inch	mm	Inch	mm	Inch	mm	Inch	mm
1A-H#A	1/16" Compression A-LOK®		0.92	23.4	0.92	23.4	0.41	10.4	0.73	18.5
1Z-H#A	1/16" Compression CPI™		0.92	23.4	0.92	23.4	0.41	10.4	0.73	18.5
2A-H#L	1/8" Compression A-LOK®		1.03	26.2	1.03	26.2	0.41	10.4	0.85	21.6
2A-H#A			1.03	26.2	1.03	26.2	0.41	10.4	0.73	18.5
2F-H#L	1/8" Female NPT		0.93	23.6	0.93	23.6	0.41	10.4	0.85	21.6
2F-H#A			0.93	23.6	0.93	23.6	0.41	10.4	0.73	18.5
2Z-H#L	1/8" Compression CPI™		1.03	26.2	1.03	26.2	0.41	10.4	0.85	21.6
2Z-H#A			1.03	26.2	1.03	26.2	0.41	10.4	0.73	18.5
4A-H#L	1/4" Compression A-LOK®		1.11	28.2	1.11	28.2	0.41	10.4	0.85	21.6
4A-H#A			1.11	28.2	1.11	28.2	0.41	10.4	0.73	18.5
4F-H#L	1/4" Female NPT		0.97	24.6	0.97	24.6	0.41	10.4	0.85	21.6
4F-H#A			0.97	24.6	0.97	24.6	0.41	10.4	0.73	18.5
4M-H#L	1/4" Male NPT		0.93	23.6	0.93	23.6	0.41	10.4	0.85	21.6
4M-H#A			0.93	23.6	0.93	23.6	0.41	10.4	0.73	18.5
4Z-H#L	1/4" Compression CPI™		1.11	28.2	1.11	28.2	0.41	10.4	0.85	21.6
4Z-H#A			1.11	28.2	1.11	28.2	0.41	10.4	0.73	18.5
M3A-H#L	3mm Compression A-LOK®		1.00	25.4	1.00	25.4	0.41	10.4	0.85	21.6
M3A-H#A			1.00	25.4	1.00	25.4	0.41	10.4	0.73	18.5
M3Z-H#L	3mm Compression CPI™		1.00	25.4	1.00	25.4	0.41	10.4	0.85	21.6
M3Z-H#A			1.00	25.4	1.00	25.4	0.41	10.4	0.73	18.5
M6A-H#L	6mm Compression A-LOK®		1.15	29.2	1.15	29.2	0.41	10.4	0.85	21.6
M6A-H#A			1.15	29.2	1.15	29.2	0.41	10.4	0.73	18.5
M6Z-H#L	6mm Compression CPI™		1.15	29.2	1.15	29.2	0.41	10.4	0.85	21.6
M6Z-H#A			1.15	29.2	1.15	29.2	0.41	10.4	0.73	18.5

† For CPI™ and A-LOK®, dimensions are measured with nuts in the finger tight position.

## K Handle Dimensions

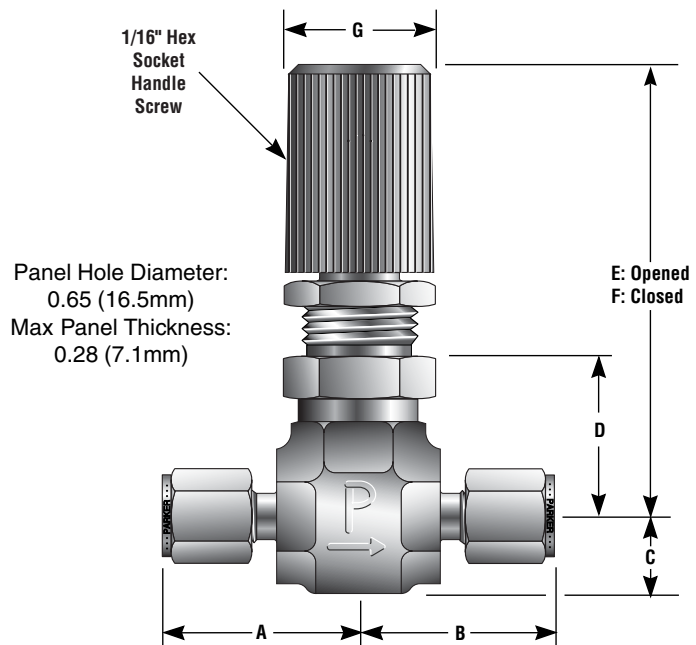
Pattern	Dimensions					
	E		F		G	
	Inch	mm	Inch	mm	Inch	mm
In-line	2.35	59.7	2.35	59.7	0.78	19.8
Angle	2.23	56.6	2.23	56.6	0.78	19.8

## TC Handle Dimensions

Pattern	Dimensions					
	E		F		G	
	Inch	mm	Inch	mm	Inch	mm
In-line	2.88	73.2	2.88	73.2	1.12	28.4
Angle	2.76	70.1	2.76	70.1	1.12	28.4

## NS Handle Dimensions

Pattern	Dimensions					
	E		F		G	
	Inch	mm	Inch	mm	Inch	mm
In-line	2.33	59.2	2.33	59.2	0.25	6.4
Angle	2.21	56.1	2.21	56.1	0.25	6.4



Model Shown: M6A-H6L-KZ-SS-K

# HR Series Metering Valves

## How to Order

The correct part number is easily derived from the following number sequence. The six product characteristics required are coded as shown below. \*Note: If the inlet and outlet ports are the same, eliminate the outlet port designator.

**Example:** 4Z - \* - H3L - V - SS - TC

① Inlet Port      ② Outlet Port      ③ Valve/Stem Series      ④ Seal Material      ⑤ Body Material      ⑥ Handle Type

① Inlet Port	② Outlet Port	③ Valve/Stem Series	④ Seal Material	⑤ Body Material	⑥ Handle Type
1A, 1Z		H#A	BN - Buna-N Rubber EPR - Ethylene Propylene Rubber NE - Neoprene Rubber	SS - Stainless Steel	K - Knurled TC - Turns Counter
2A, 2F, 2Z, 4A, 4F, 4M, 4Z, M3A, M3Z, M6A, M6Z		H#A H#L	V - Fluorocarbon Rubber KZ - Highly Fluorinated Fluorocarbon Rubber	B - Brass	NS - No Handle (Slotted Stem)

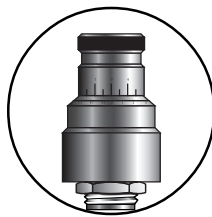
## Handle Options

Knurled (K)



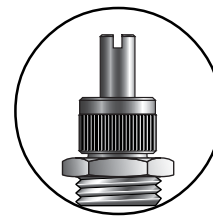
Knurled ABS molded handle provides ease of actuation

Turns Counter (TC)



Graduated black-anodized aluminum alloy handle provides a readable count of turns open

Slotted Stem (NS)



Screwdriver slot on top of stem may be used for inaccessible locations or tamper resistance

## How to Order Options

**Oxygen Cleaning** – Add the suffix **-C3** to the end of the part number to receive valves cleaned and assembled for oxygen service in accordance with Parker Specification ES8003. **Example:** 4A-H1A-EPR-SS-K-C3

**High Temperature** – Add the suffix **-HT** to the end of the part number to receive valves with Turns Counter (TC) handles suitable for service above 300 °F (149 °C). **Example:** M3A-H4L-KZ-SS-TC-HT

### ⚠ WARNING

FAILURE, IMPROPER SELECTION OR IMPROPER USE OF THE PRODUCTS AND/OR SYSTEMS DESCRIBED HEREIN OR RELATED ITEMS CAN CAUSE DEATH, PERSONAL INJURY AND PROPERTY DAMAGE.

This document and other information from Parker Hannifin Corporation, its subsidiaries and authorized distributors provide product and/or system options for further investigation by users having technical expertise. It is important that you analyze all aspects of your application and review the information concerning the product or system in the current product catalog. Due to the variety of operating conditions and applications for these products or systems, the user, through its own analysis and testing, is solely responsible for making the final selection of the products and systems and assuring that all performance, safety and warning requirements of the application are met.

The products described herein, including without limitation, product features, specifications, designs, availability and pricing, are subject to change by Parker Hannifin Corporation and its subsidiaries at any time without notice.

### Offer of Sale

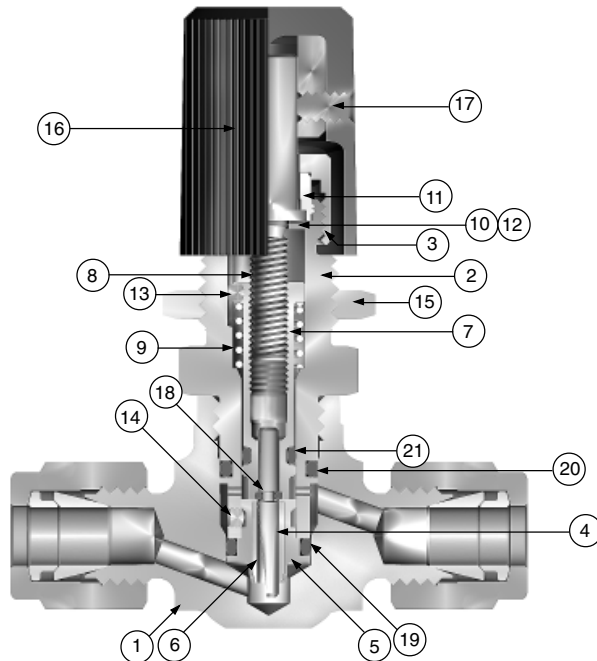
The items described in this document are hereby offered for sale by Parker Hannifin Corporation, its subsidiaries or its authorized distributors. This offer and its acceptance are governed by the provisions stated in the "Offer of Sale" located in Catalog 4110-U Needle Valves (U Series).

© Copyright 2002, Parker Hannifin Corporation. All Rights Reserved.

## Materials of Construction

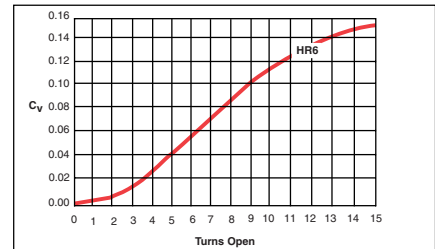
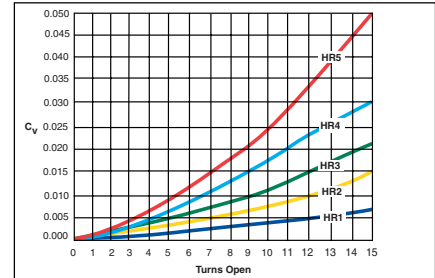
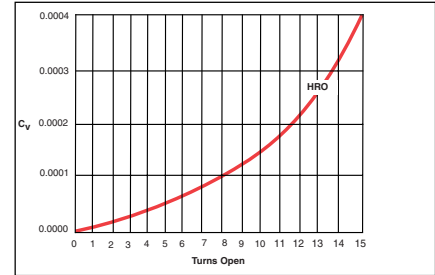
Item #	Description	Stainless Steel	Brass
1	Body	ASTM A 182 Type F316	ASTM B 283 Alloy C37700 (Nickel Plated)
2	Bonnet	ASTM A 479 Type 316	ASTM B 16 Alloy C36000 (Nickel Plated)
3	Bonnet Nut	ASTM B 16 Alloy C36000	ASTM B 16 Alloy C36000
4	Lower Stem	316 Stainless Steel	316 Stainless Steel
5	Orifice	ASTM A 479 Type 316	ASTM B 453 Alloy C34000
6	Orifice Liner	Mica Filled PTFE	Mica Filled PTFE
7	Stem Guide	ASTM A 182 Type F316	ASTM B 16 Alloy C36000
8	Upper Stem	ASTM B 150 Alloy C64200	ASTM B 150 Alloy C64200
9	Spring	302 Stainless Steel	302 Stainless Steel
10	Wave Washer	Steel	Steel
11	Friction Collar*	Acetal	Acetal
12	Stem Washer	Nylon	Nylon
13	Stem Guide Pin	Alloy Steel	Alloy Steel
14	Orifice Screw	Stainless Steel	Stainless Steel
15	Panel Nut	ASTM B 16 (Nickel Plated)	ASTM B 16 (Nickel Plated)
16	Handle**	ABS Plastic	ABS Plastic
17	Handle Set Screw	Alloy Steel	Alloy Steel
18	Lower Stem O-Ring***	Fluorocarbon Rubber	Fluorocarbon Rubber
19	Orifice O-Ring***	Fluorocarbon Rubber	Fluorocarbon Rubber
20	Bonnet O-Ring***	Fluorocarbon Rubber	Fluorocarbon Rubber
21	Stem Guide O-Ring***	Fluorocarbon Rubber	Fluorocarbon Rubber

- \* Friction Collar is Polyimide with HT option
  - \*\* Acrylonitrile-Butadiene-Styrene. Optional handles are available
  - \*\*\* Optional materials are available - [See How to Order](#)
- Lubrication: Perfluorinated polyether

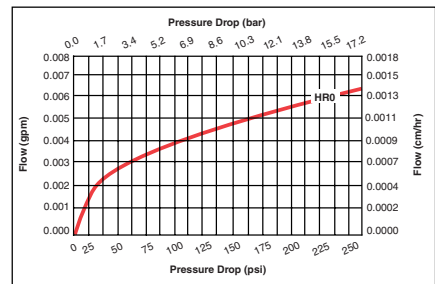
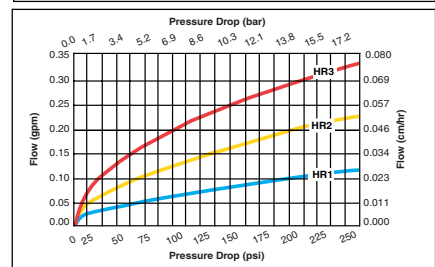
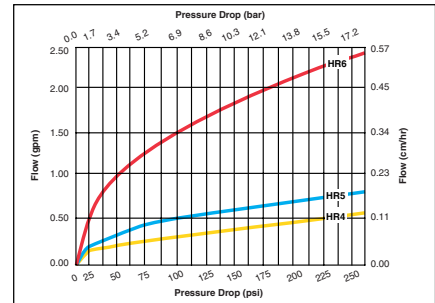


Model Shown: 4A-H4L-NE-SS-K

## C<sub>v</sub> vs. Turns Open



## Water Flow Data



---

Parker仪表管阀件联系方式：

信德迈科技(北京)有限公司 CNMEC Technology Company

地址：北京朝阳区望京街10号望京SOHO-T1-C座2115室

邮编：100102

电话：010-8428 2935, 8428 9077, 8428 3983

手机：139 1096 2635

Http：[//www.cnmec.biz](http://www.cnmec.biz)

E-mail：[sales@cnmec.biz](mailto:sales@cnmec.biz)

传真：010-8428 8762

